

# ARRL Handbook CD

## Template File

**Title:** Rainbow Inductance Meter

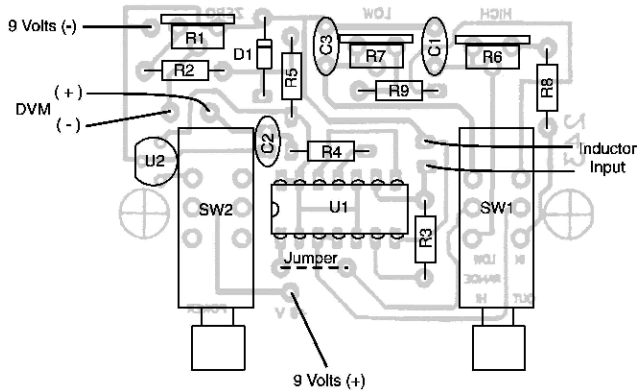
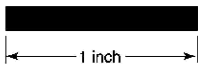
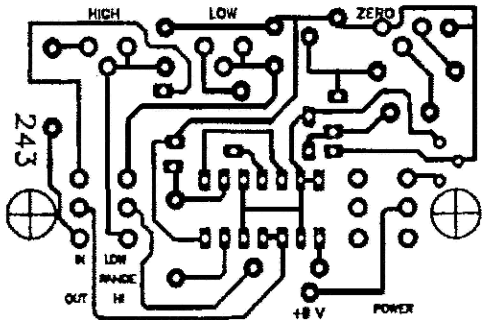
**Chapter:** 26

**Topic:** Measure Inductance and Capacitance with a DVM

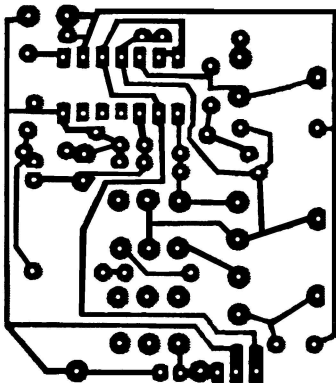
Template contains:

PC board etching pattern and parts placement diagram: Inductance Meter.

PC board etching pattern and parts placement diagram: Capacitance Meter.



Inductance Meter, Chapter 26



CA-1

